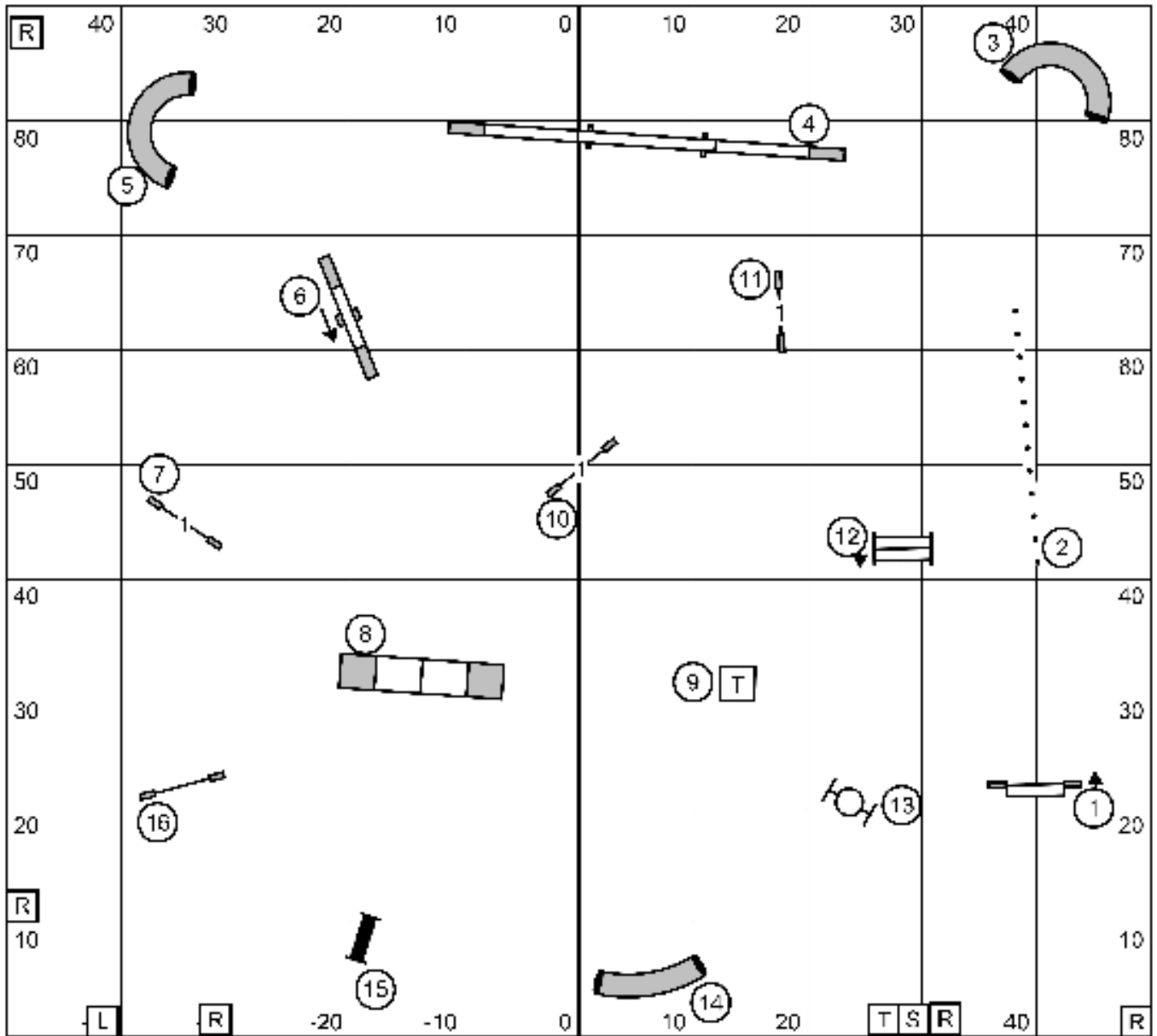
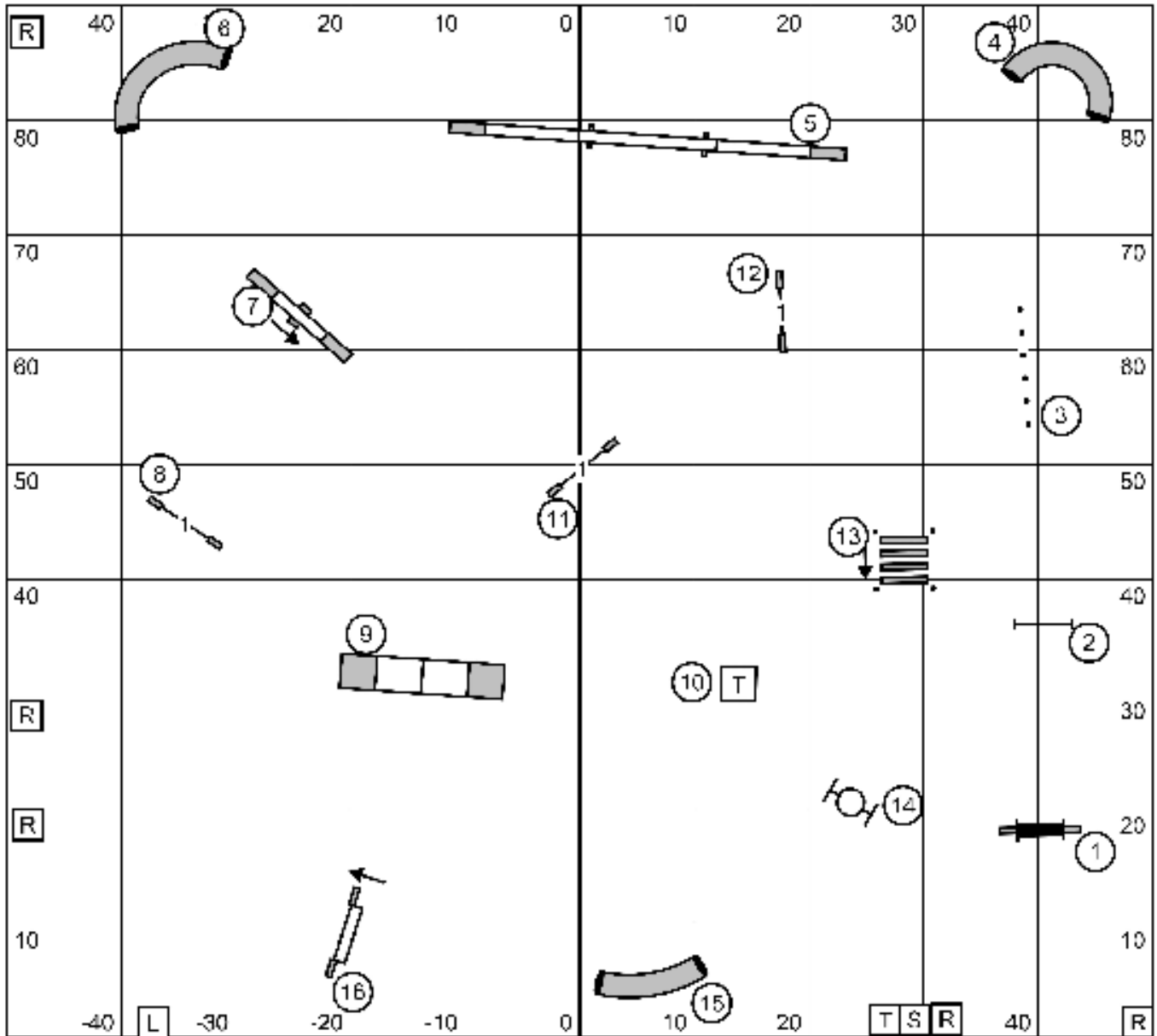


**Excellent/Master Standard** Mississippi Mavericks Agility Club 100x90 18 Sat XS  
**Sunday, January 17, 2021** Van Cleave, MS Kim Crenshaw outdoors under cover on dirt



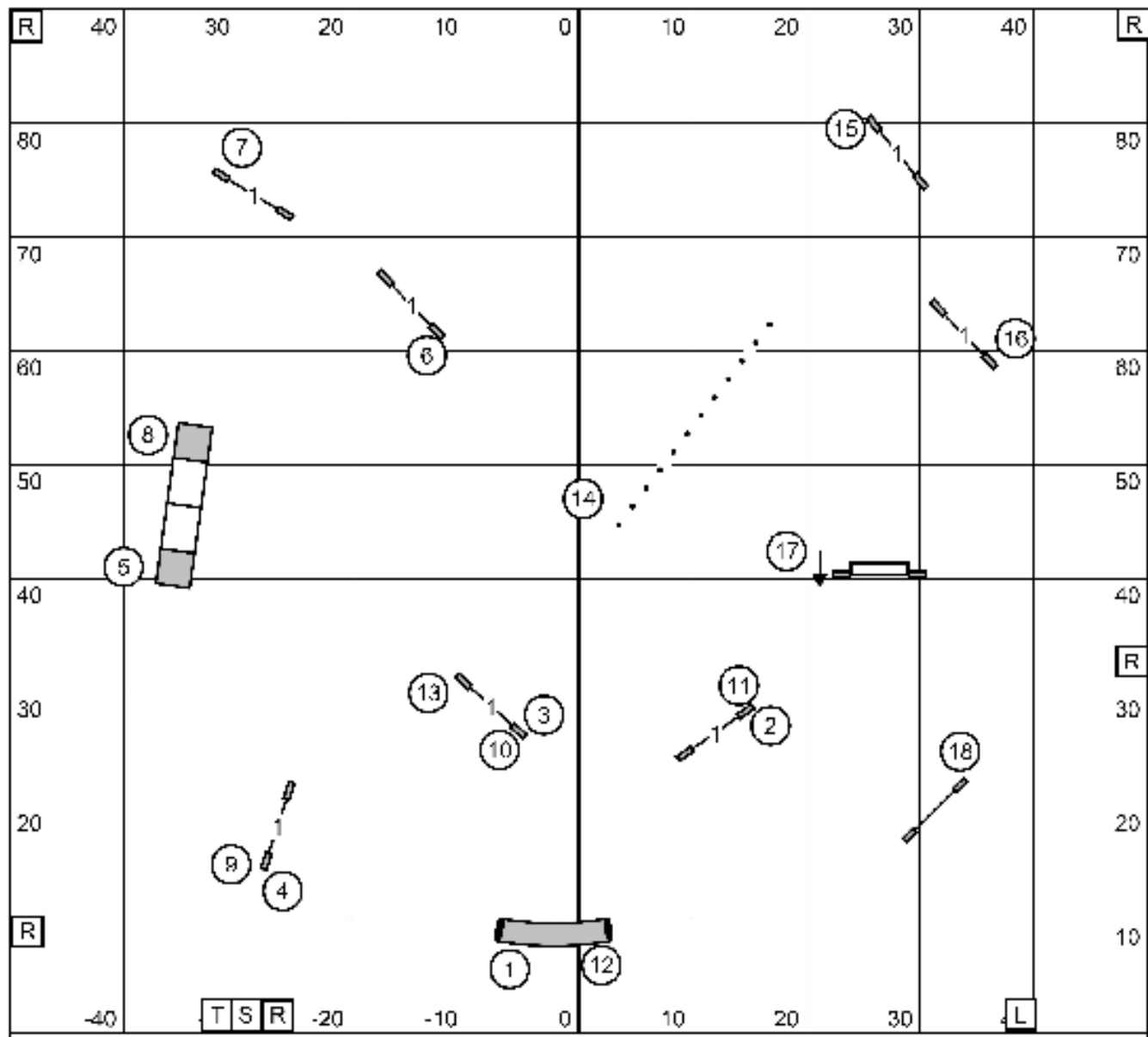
**Open Standard** Mississippi Mavericks Agility Club 100x90 19 Sun OS  
**Sunday, January 17, 2021** Van Clave, MS Kim Cronshaw outdoors under cover on dirt



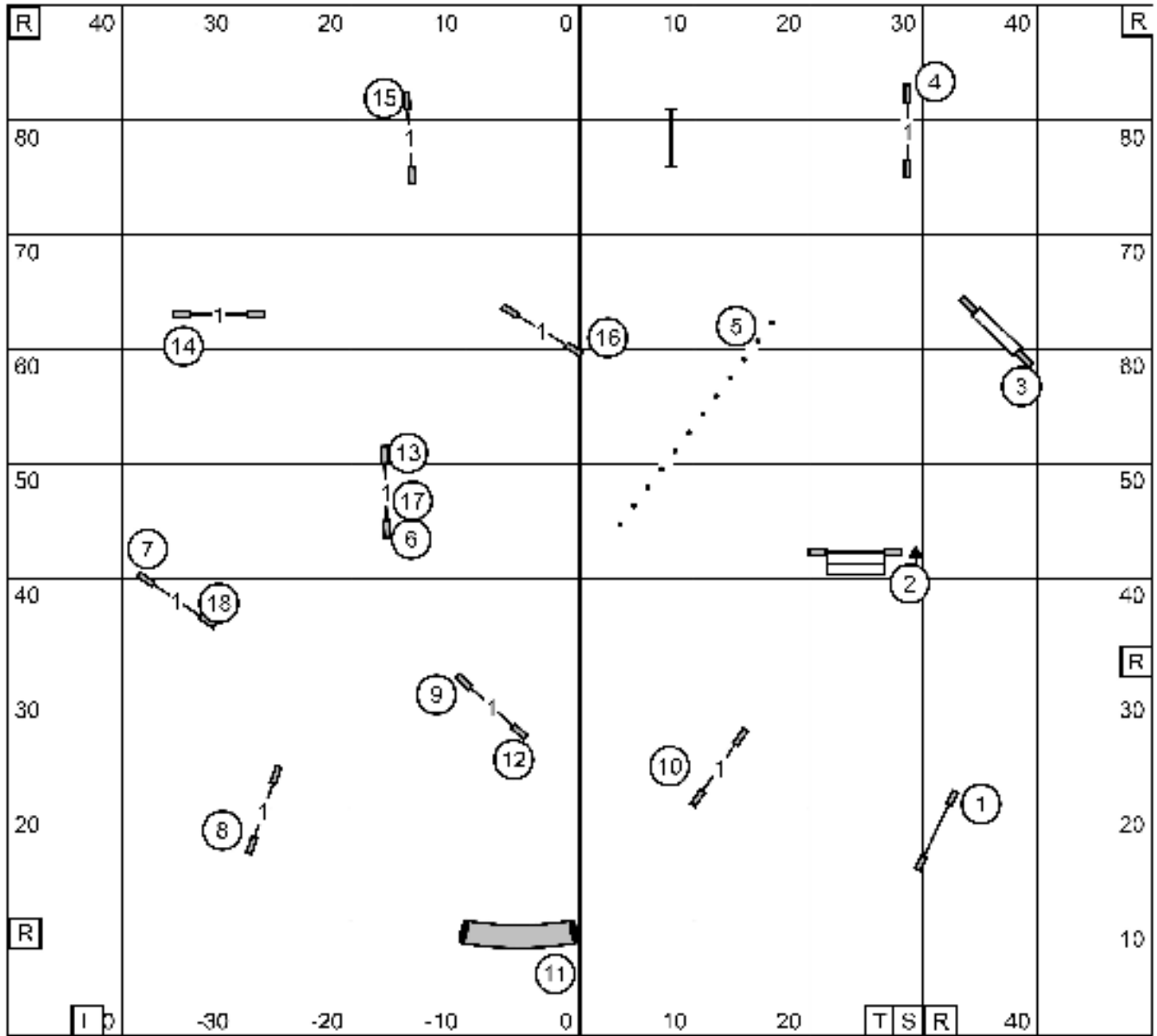
**Novice Standard** Mississippi Mavericks Agility Club 100x90

20 Sun NS

**Sunday, January 17, 2021** Van Cleave, MS Kim Crenshaw outdoors under cover on dirt



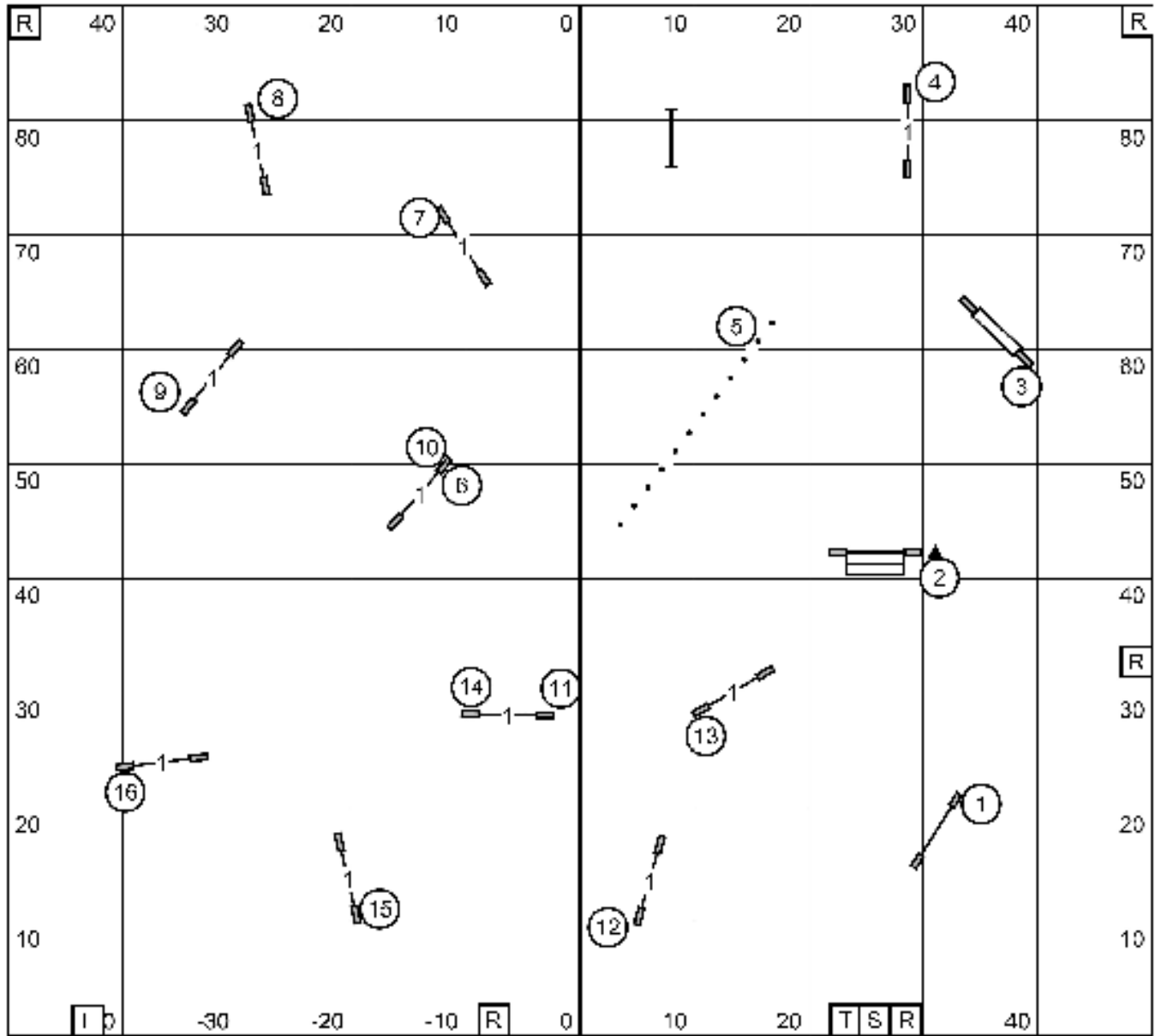
**Time to Beat** Mississippi Mavericks Agility Club 100x90 21 Sun T2B  
**Sunday, January 17, 2021** Van Cleave, MS Kim Crenshaw outdoors under cover on dirt



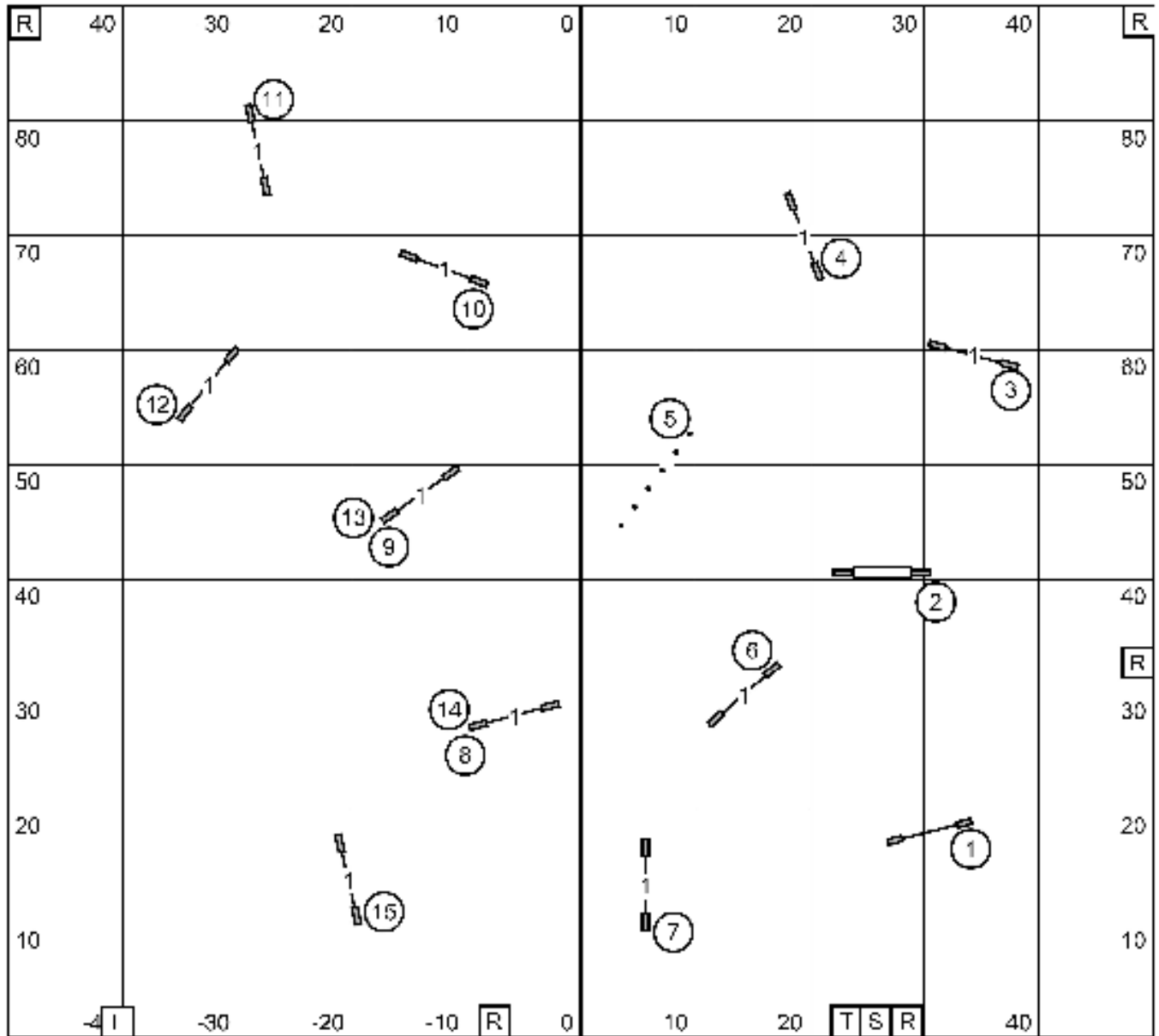
**Excellent Jumpers w Weaves**  
**Friday, January 15, 2021**

Mississippi Mavericks Agility Club 100x90  
 Van Cleave, MS Kim Crenshaw outdoors under cover on dirt

22 Sun XJW



**Open Jumpers w Weaves** Mississippi Mavericks Agility Club 100x90 23 Sun OJW  
**Sunday, January 17, 2021** Van Cleave, MS Kim Crenshaw outdoors under cover on dirt



**Novice Jumpers w Weaves** Mississippi Mavericks Agility Club 100x90 24 Sun NJW  
**Sunday, January 17, 2021** Van Cleave, MS Kim Crenshaw outdoors under cover on dirt

## Judges Briefing:

We are all looking forward to a fun trial and I wish all exhibitors the best of luck and many great performances.

Please be kind to your dogs. Be kind to the ring crew, trial committee and fellow exhibitors.

Please wear a mask at all times, including during your run. If you feel you must, you may lower your mask below your nose, but please do keep your mouth covered during your run to prevent droplets from being expelled into the air and from dropping onto the equipment that the ring crew must handle. I greatly appreciate your willingness to comply with this request for the safety of the ring crew, myself and the exhibitors who will follow you.

Table count: I will make every effort to speak loudly enough for you to hear the count. If you cannot hear me, please look to me and will also give you a “thumbs up” when the count is over.

I wish everyone success and many enjoyable memories with your dogs and safe socialization with friends.

- Kim